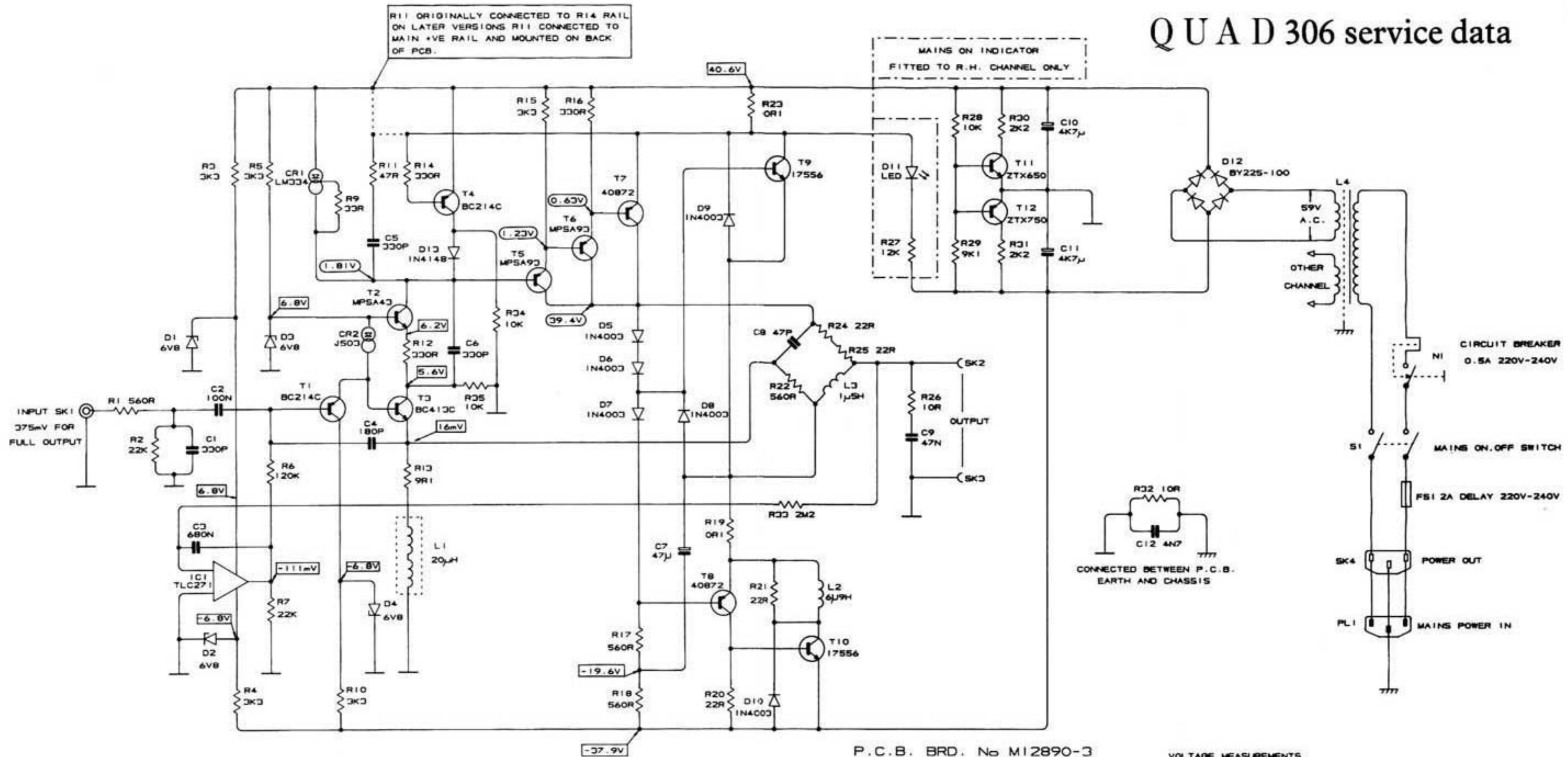


QUAD 306 service data



P.C.B. BRD. No M12890-3

VOLTAGE MEASUREMENTS

ALL VOLTAGE MEASUREMENTS ARE TYPICAL AND WERE TAKEN WITH A MAINS SUPPLY OF 240V USING A THURLBY 1504 DIGITAL METER, WITH NO INPUT SIGNAL

- MEASURED USING -VE PROBE W.R.T. THE +VE RAIL
- MEASURED USING +VE PROBE W.R.T. P.C.B. EARTH